



HEIDENHAIN



Product Information

Output Cable for ECI 1119 EBI 1135 EQI 1131

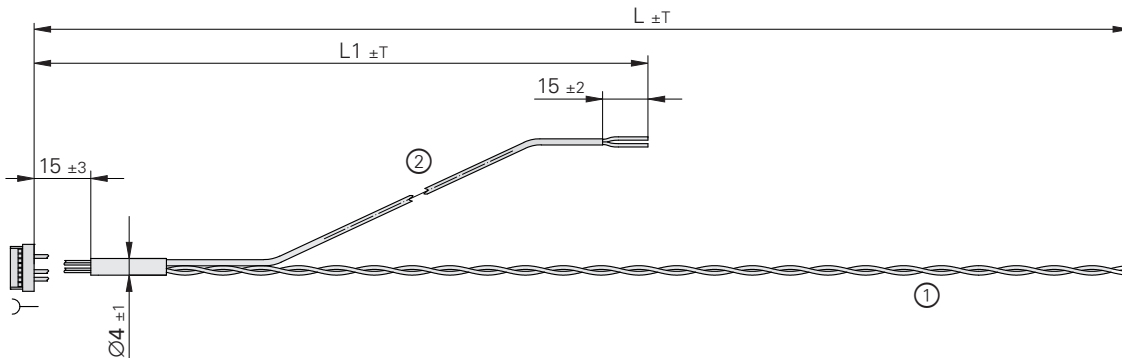
Assembled on one end,
with wires for
temperature sensor

ID 1302347-xx

Output cable for ECI 1119, EBI 1135, and EQI 1131

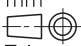
- With connector for 15-pin PCB connector
- Temperature sensor wires

Dimensions



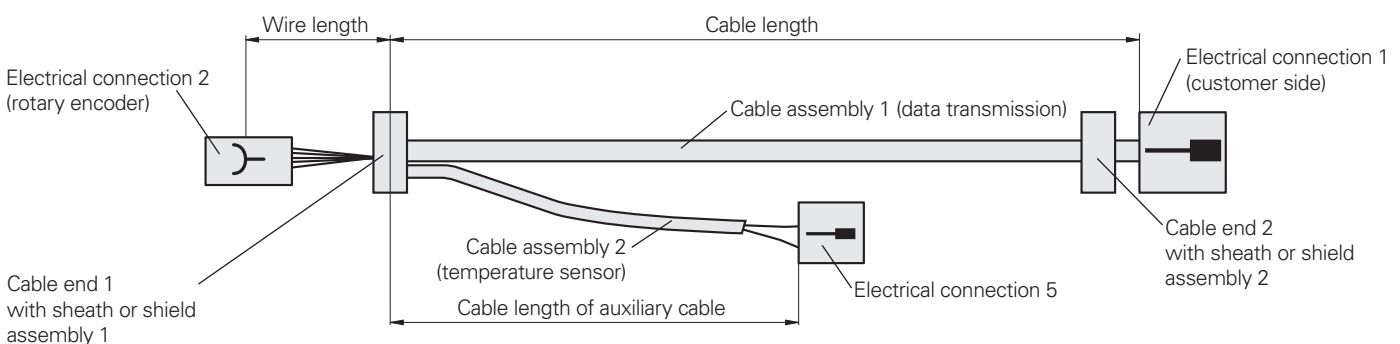
- 1 = Signal wires
 Smallest non-recurring bend radius: 5 mm
 Smallest permanent bend radius: 17 mm
 Diameter: 1.8 mm
- 2 = Temperature sensor wires
 Smallest non-recurring bend radius: 5 mm
 Smallest permanent bend radius: 17 mm
 Diameter: 2.2 mm
- L = For the maximum cable length, see the specifications of the encoder model.

Tolerance table	
	T
≤ 250 mm	± 5 mm
< 1000 mm	+ 10 mm

mm

 Tolerancing ISO 8015
 ISO 2768 - m H
 ≤ 6 mm: ±0.2 mm

Terminology diagram

The following terminology diagram serves as an overview of the cable components with their designations. Dimensions and other cable details must be taken from the *Dimensions* drawing.



Specifications	Output cable (AGK) for ECI 1119, EBI 1135, EQI 1131
General design	
Optimized for interface*	EnDat 3 E30-R2 for HMC 2
Operating temperature	<i>Stationary cable:</i> -40 °C to 125 °C
CE	Printed on packaging label
NRTL	–
Brand	HEIDENHAIN
Cable assembly 1 (data transmission)	2 x 0.15 mm ² , twisted
Electrical design	Working voltage < 250 V (AC/DC)
Jacket characteristics	ETFE wires are highly resistant to oils, greases, acids, bases, and solvents, and do not contain PVC or silicone. <i>Wire colors:</i> yellow/violet
Cable jacket / insulation	ETFE (special elastomer) Ø 0.8 mm Test voltage: 3.4 kV peak AC / DC (as per MIL-W-22759/18); test duration: 1 s
Shielding	None
Electrical connection 2 (to rotary encoder, see <i>Terminology diagram</i>)	15-pin, 2-row PCB connector; protection rating: IP00
Cable end 1 (see <i>Terminology diagram</i>)	Heat shrink tubing Ø _O = 4 mm
Cable length (see L in <i>Dimensions</i>)	<i>Max. cable length:</i> 0.3 m
Electrical connection 1 (for customer side, see <i>Terminology diagram</i>)	Without connecting element
Cable assembly 2 (temperature sensor)	Two wires with ETFE insulation 0.15 mm ² in the heat shrink tubing; wire design: 19 x Ø 0.1 mm; outside diameter: 0.8 mm
Electrical design	Working voltage < 250 V (AC/DC)
Jacket characteristics	Heat shrink tubing (mechanical protection of the ETFE wires) <i>Color:</i> black
Wire jacket / insulation	Test voltage: 3.4 kV peak AC / DC (as per MIL-W-22759/18); test duration: 1 s
Cable length of the auxiliary cable (see L1 in <i>Dimensions</i>)	<i>Max. cable length:</i> 0.3 m
Electrical connection 5 (see <i>Terminology diagram</i>)	Without connecting element

* For more information, see the *Interfaces of HEIDENHAIN Encoders* brochure

Mounting accessories

Mounting and initial setup must be performed with appropriate ESD protection. Do not engage or disengage the connecting element when it is under power.

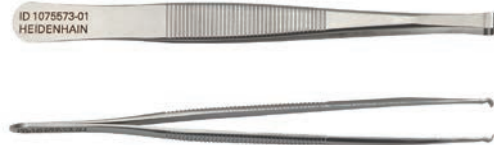


Mounting aid

To avoid damage to the cable, use the mounting aid to connect and disconnect the cable assembly. The pulling force must be applied solely to the connector and not to the wires.

ID 1075573-01


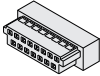
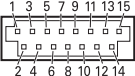


For further mounting information and mounting aids, please refer to the relevant mounting instructions and the *Encoders for Servo Drives* brochure.



Mounting aid for PCB connector

Electrical connection

Pin layout for ECI 1119/EBI 1135/EQI 1131 output cables inside the motor housing, with E30-R2 interface

15-pin PCB connector (female)				
 15				
	Encoder			
	Power supply / Serial data transmission		Connections for an external temperature sensor	
 15	9	10	5	6
	P_SD+¹⁾	P_SD-¹⁾	T+	T-
	Violet	Yellow	Brown	Green

¹⁾ Power supply and data: P_SD+ contains U_P (power supply); P_SD- contains 0 V

Conformity with the EMC Directive must be ensured in the complete system.

Proper insulation must be ensured in the complete system.

Vacant pins or wires must not be used!

HEIDENHAIN

DR. JOHANNES HEIDENHAIN GmbH

Dr.-Johannes-Heidenhain-Straße 5

83301 Traunreut, Germany

☎ +49 8669 31-0

FAX +49 8669 32-5061

E-mail: info@heidenhain.de

www.heidenhain.de

This Product Information document supersedes all previous editions, which thereby become invalid. The basis for ordering from HEIDENHAIN is always the Product Information document edition valid when the order is placed.



Further information:

Comply with the requirements described in the following documents to ensure correct and intended operation:

- Brochure: *Cables and Connectors* 1206103-xx
- Brochure: *Encoders for Servo Drives* 208922-xx
- Brochure: *Interfaces of HEIDENHAIN Encoders* 1078628-xx
- Product Information document: *HMC 2* 1305512-xx

For more information on EnDat 3, visit: www.endat.de

For brochures and Product Information documents, visit: www.heidenhain.de